



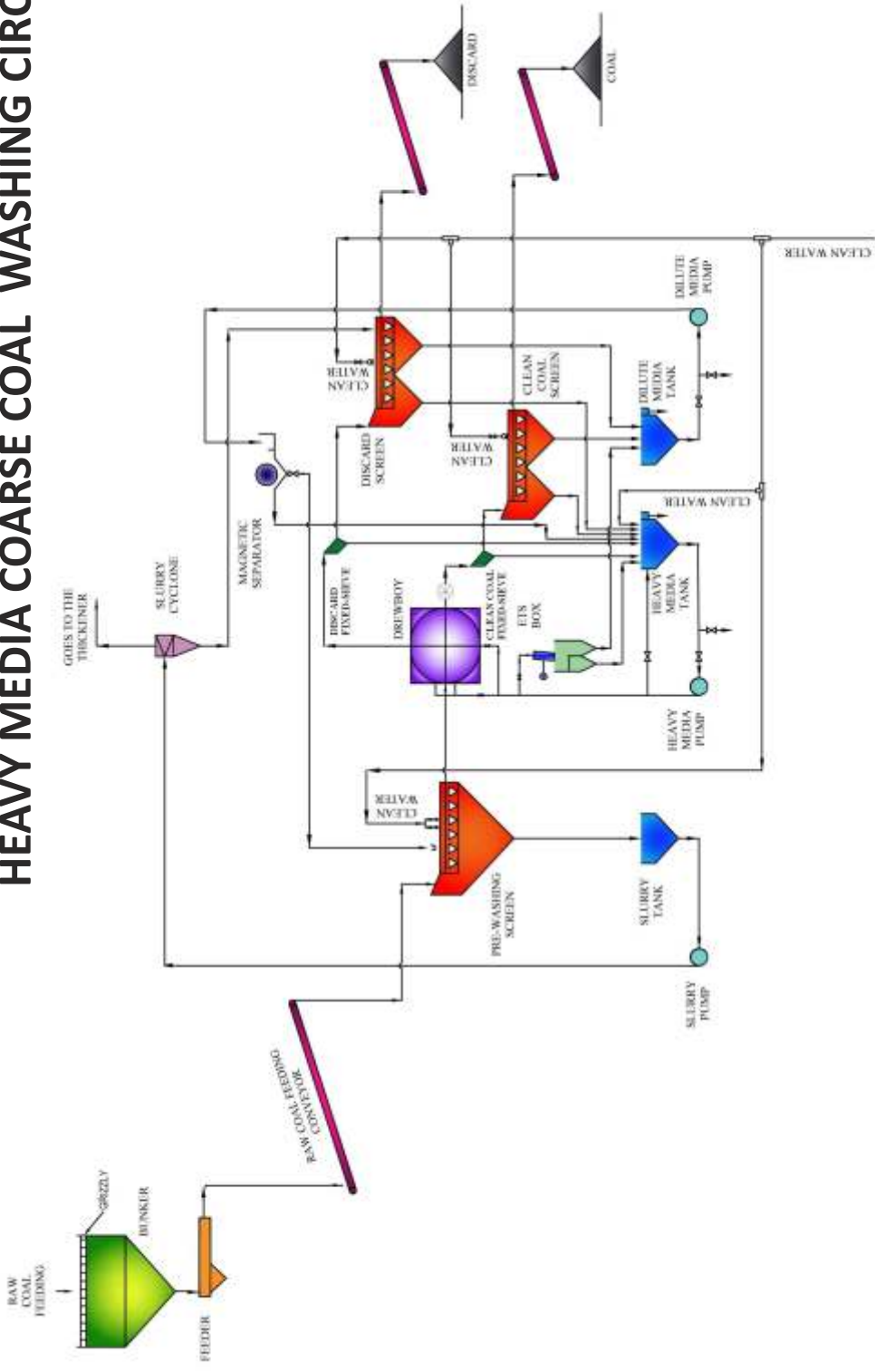
Heavy Media Coal Washing Plants



www.cwp.com.tr

info@cwp.com.tr

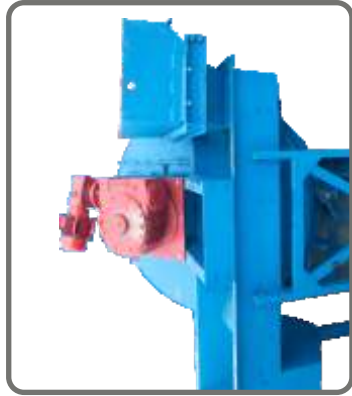
HEAVY MEDIA COARSE COAL WASHING CIRCUIT



Feeder



Pre - Washing Screen



Drewboy



Slurry Pump



Cyclone



Clean Coal Screen



Magnetic Separator

HEAVY MEDIA COARSE COAL WASHING PLANTS

CWP constructs coarse coal washing plants on EPC / Concept to Commissioning basis.

Drum / Drewboy Heavy Media Plant is a dense media system used in washing process of +10 mm -250mm coal. CWP can manufacture Drum / Drewboy Heavy Media Plants with a minimum capacity of 25 TPH to the customer required capacities. Feeding grain thickness might be changed whenever required, without any performance loss during washing of +10 mm – 250 mm. Coarse coal washing plant is produced as semi-mobile especially in low capacities. CWP can construct a complete Drum / Drewboy Heavy Media Plant from input hoppers to output conveyors including all classification, separation and dewatering / drying applications and also manufactures separate washing modules.



CWP can guarantee for the required higher calorific value and lower ash content in the product coal if the proper raw coal data is priorly provided by the customer.

TECHNICAL FEATURES

Separates + 10 mm – 250 mm materials

With Drewboy Separator

- Two products are obtained as clean coal and discharge.

With Drum Separator

- Two / three products may be obtained as clean coal, middlings and discharge depending on the separator type.

GENERAL FEATURES

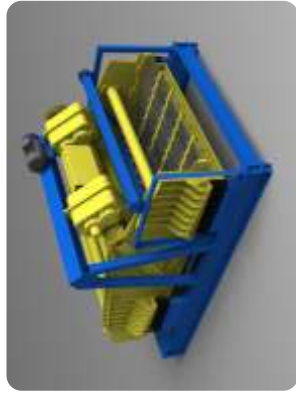
Minimum magnetite loss
High capacity processing
Durable design and abrasion resistant body

Coal Grain Size (mm)	Unit Capacity
+10-100	25
+10-150	50
+10-150	100
+10-200	200
+10-250	300

HEAVY MEDIA FINE COAL WASHING CIRCUIT



Feeder



Pre - Washing Screen



Spiral Battery



Magnetic Separator



Common Clean Coal
And Discard
Screen



Slurry Centrifuge



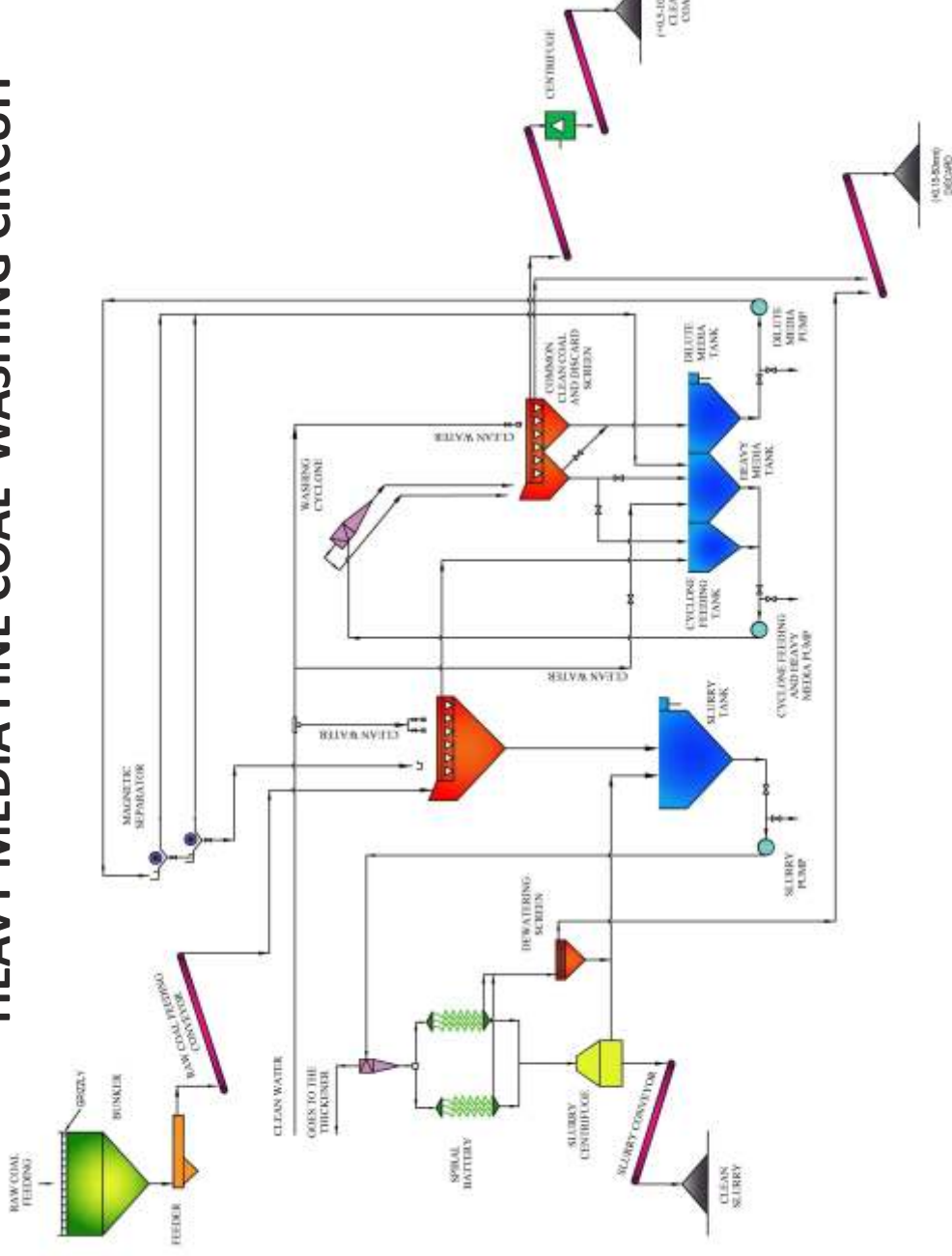
Cyclone



Slurry Pump



Centrifuge



Slurry Pump



Cyclone



Slurry Centrifuge



Slurry Pump



Centrifuge

HEAVY MEDIA FINE COAL WASHING PLANTS

CWP constructs fine coal washing solutions on EPC / Concept to Commissioning basis.

CWP can manufacture Heavy Media Fine Coal Washing Plants with a minimum capacity of 25 TPH to the customer defined capacities which can wash + 0,5 mm – 50 mm coal. The Heavy Media Fine Coal Washing Plants, engineered and designed by CWP, might be installed as semi-mobile and stationary. Heavy media washing, as the latest available washing technology, provides the most efficient results available. CWP can construct a complete fine coal washing plant from input hoppers to output conveyors including all classification, separation and dewatering/drying applications and also manufactures separate washing modules.



CWP can guarantee for the required higher calorific value and lower ash content in the product coal if the proper raw coal data is priorly provided by the customer.

TECHNICAL FEATURES

Separates + 0,5 mm - 50 mm materials

With 2 products washing cyclone

- Clean coal and discharge can be obtained.

With 3 products washing cyclone

- Clean coal, middlings and discharge can be obtained.

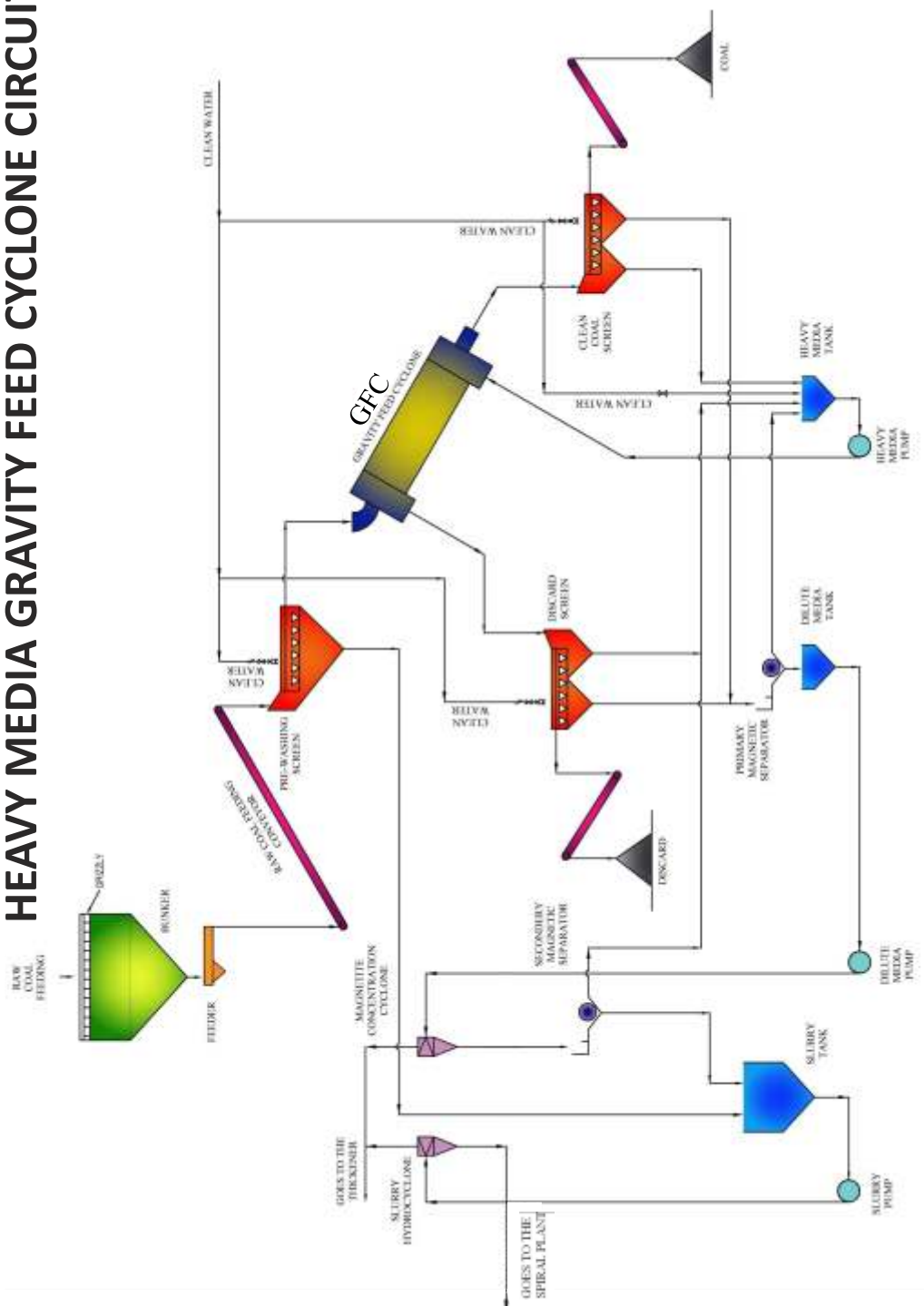
Cyclones can be made of Ni-Hard 4 high resistant cast or ceramic lined (Alumina 97)

GENERAL FEATURES

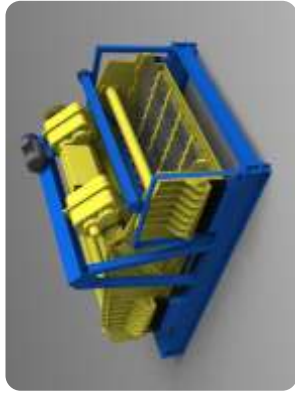
Efficient separation
Efficient control for separation cut point
High capacity processing
Efficient water recirculation
Minimum magnetite loss

Coal Grain Size (mm)	Unit Capacity
+0,5-10	25
+0,5-20	50
+0,5-40	75
+0,5-50	100
+0,5-50	150
+0,5-50	200

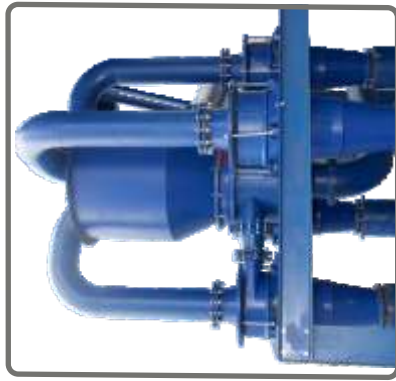
HEAVY MEDIA GRAVITY FEED CYCLONE CIRCUIT



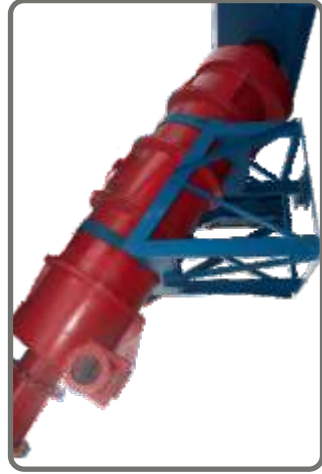
Feeder



Pre - Washing Screen



Hydro Cyclone



Gravity Feed Cyclone



Cyclone



Slurry Pump



Magnetic Separator

HEAVY MEDIA GRAVITY FEED CYCLONE PLANTS

CWP constructs coarse - fine (+ 0,5 mm -120 mm) coal washing solutions on EPC / Concept to Commissioning basis.

GFC (Heavy Media Gravity Feed Cyclone) Plant is a dense media system used in washing process of +0,5 mm – 120 mm coal. CWP can construct a complete GFC Plant from input hoppers to output conveyors including all classification, separation and dewatering / drying applications and also manufactures separate washing modules.

Two product and three product output (primary + secondary cyclone) can be obtained.

CWP can guarantee for the required higher calorific value and lower ash content in the product coal if the proper raw coal data is priorly provided by the customer.



TECHNICAL FEATURES

Separates + 0,5 mm - 120mm materials

GFC can separate up to 500 TPH per unit

With 2 Product Cyclone

- Clean coal and discard can be obtained.

With 3 Product Cyclone

- Clean coal, middlings and discard can be obtained.

GENERAL FEATURES

- Efficient separation
- Low energy consumption
- Low installation cost
- Simple construction structure
- Low operational cost
- Minimum magnetite loss
- Minimum abrasion loss
- Non-existence of malfunctions due to low number of moving parts



CWP COAL PLANTS MACHINERY TRADE LTD. CO.
IAOSB 10006 SK. NO: 19 CIGLI - IZMIR / TURKEY

TEL:+90 232 328 00 41 (PBX)

www.cwp.com.tr

FAX: +90 232 328 36 85

info@cwp.com.tr